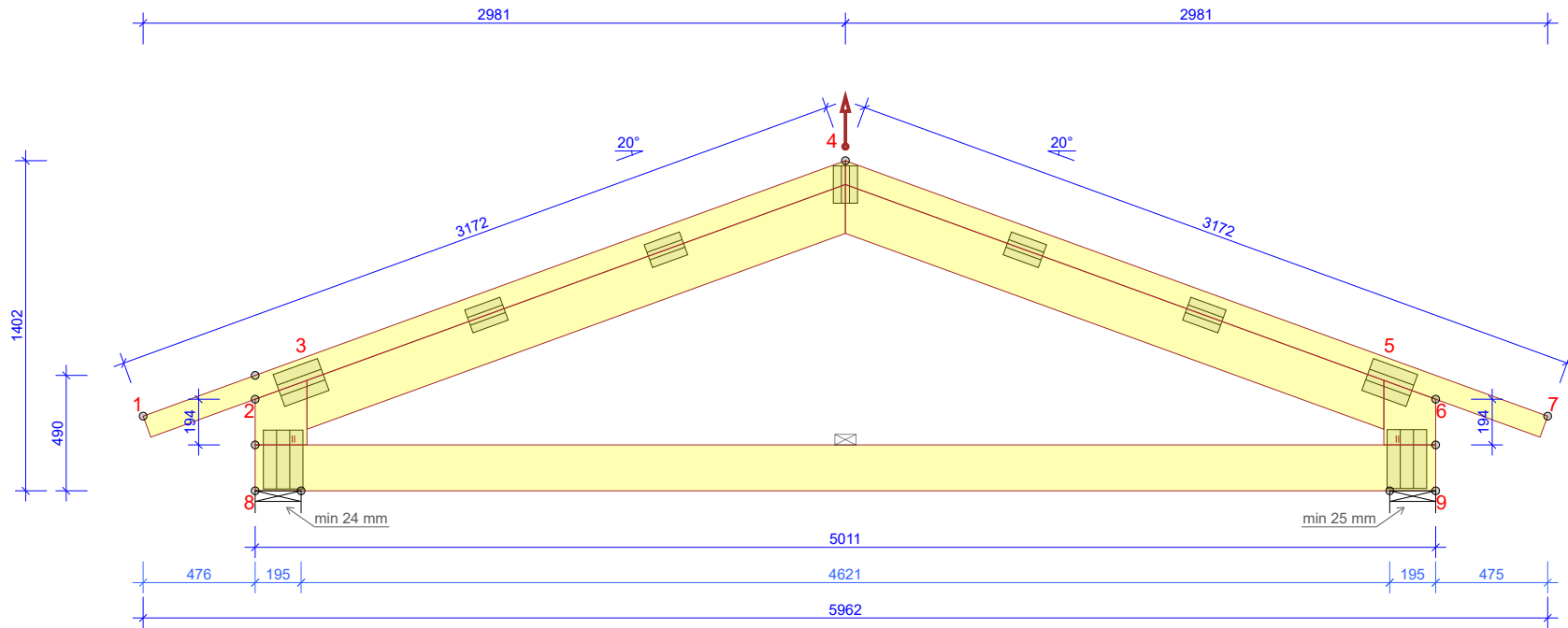


**T1 - 10 no.**

BRACINGS ACCORDING TO TIMBER TABLE AND STABILITY OF THE TRUSS SYSTEM SHALL BE DESIGNED SEPARATELY  
 ☒ INDICATES BRACING



TIMBER THICKNESS 45 mm	
JOINT FROM - TO	BRACING mm/no.
1-4	350
3-4	
4-5	
4-7	350
8-9	1

LOADS (N/m <sup>2</sup> )	
SNOW ZONE:	1.5
SNOW LOAD (Sk):	1500 N/m <sup>2</sup>
WIND LOAD (qp(z)):	705 N/m <sup>2</sup>
DEAD LOAD ON WALL:	150
DEAD LOAD ON ROOF:	600
OTHER LOADS AS PER CALC. PRINT-OUT SELF-WEIGHT ADDED	

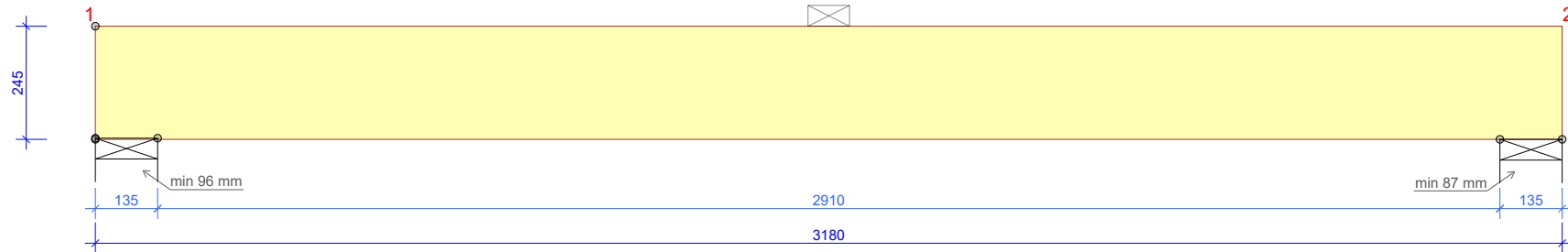
GENERAL SETTINGS	
TIMBER THICKNESS (mm):	45
TRUSS WEIGHT (kg/ply):	61
TRUSS CENTRES (mm):	900
LOAD SHARING FACTOR:	1.1
SERVICE CLASS:	2 = 65% <= RH < 85%
BRACING: SEE TIMBER TABLE	

GENERAL DIRECTIONS
THE STRUCTURE HAS BEEN CALCULATED USING COMPUTER PROGRAM "MITEK PAMIR", OY Moduland - LICENSE: 15056 DESIGN CODE: EN 1995-1-1:2004 + A2:2014 + EE NA:2007 + A1:2008 + EE NA:2009 FULL DESIGN RESULTS AS PER CALC. PRINTOUT

© The drawing is protected under copyright law and may not be copied, distributed or otherwise used without the author's consent.

**B1 - 3 no.**

BRACINGS ACCORDING TO TIMBER TABLE AND STABILITY OF THE TRUSS SYSTEM SHALL BE DESIGNED SEPARATELY  
 ☒ INDICATES BRACING



TIMBER		THICKNESS 45 mm	3 NO. OF PLY
JOINT FROM - TO	BRACING mm/no.		
1-2	1		

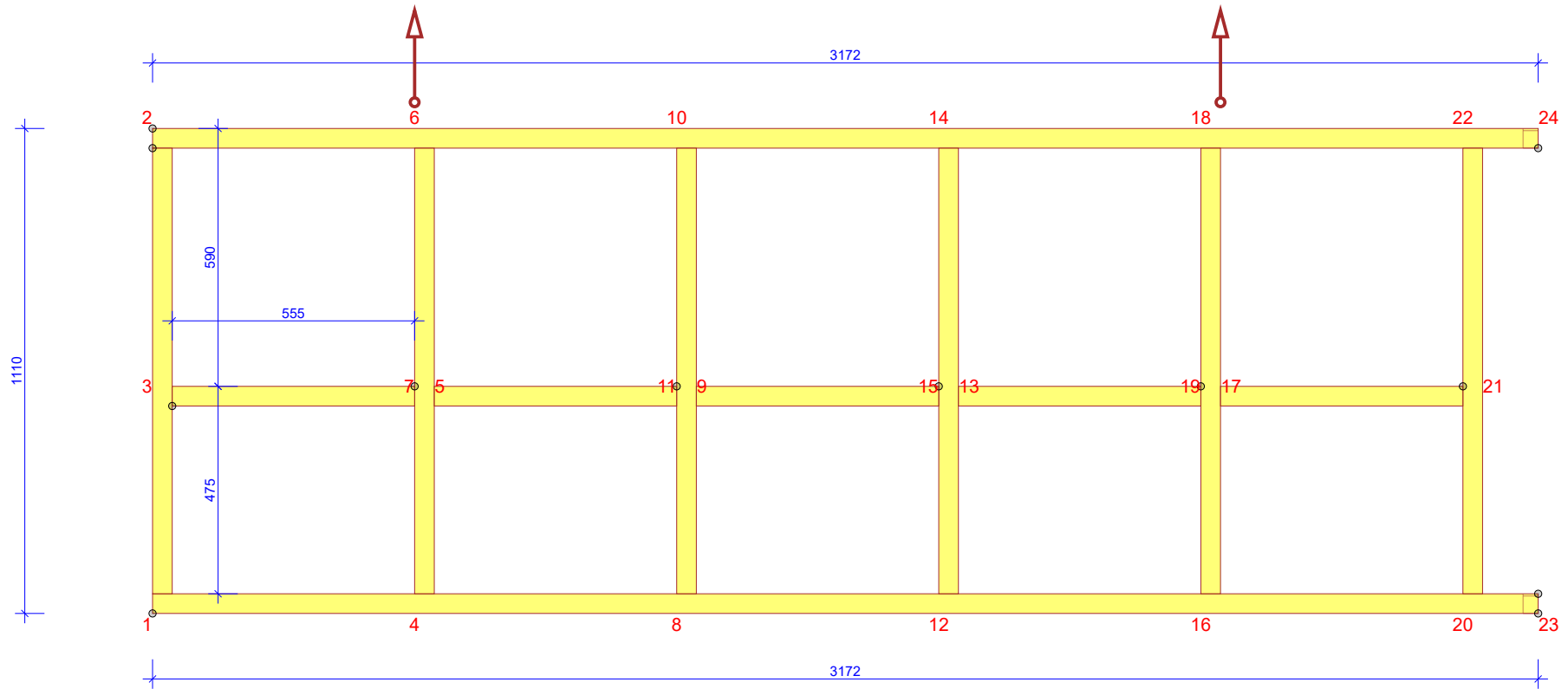
LOADS (N/m²)	
SNOW ZONE:	1.5
SNOW LOAD (Sk):	1500 N/m²
WIND LOAD (qp(z)):	705 N/m²
LIVE LOAD INSIDE ROOM:	2000
DEAD LOAD ON ROOF:	600
OTHER LOADS AS PER CALC. PRINT-OUT SELF-WEIGHT ADDED	

GENERAL SETTINGS	
TIMBER THICKNESS (mm):	45
TRUSS WEIGHT (kg/ply):	17
MAXIMUM HANDLING WEIGHT (kg):	51
TRUSS CENTRES (mm):	200
LOAD SHARING FACTOR:	1
SERVICE CLASS:	2 = 65% <= RH < 85%
BRACING: SEE TIMBER TABLE	

GENERAL DIRECTIONS
THE STRUCTURE HAS BEEN CALCULATED USING COMPUTER PROGRAM "MITEK PAMIR", OY Moduland - LICENSE: 15056 DESIGN CODE: EN 1995-1-1:2004 + A2:2014 + EE NA:2007 + A1:2008 + EE NA:2009 FULL DESIGN RESULTS AS PER CALC. PRINTOUT

© The drawing is protected under copyright law and may not be copied, distributed or otherwise used without the author's consent.

gs1 - 2 no.

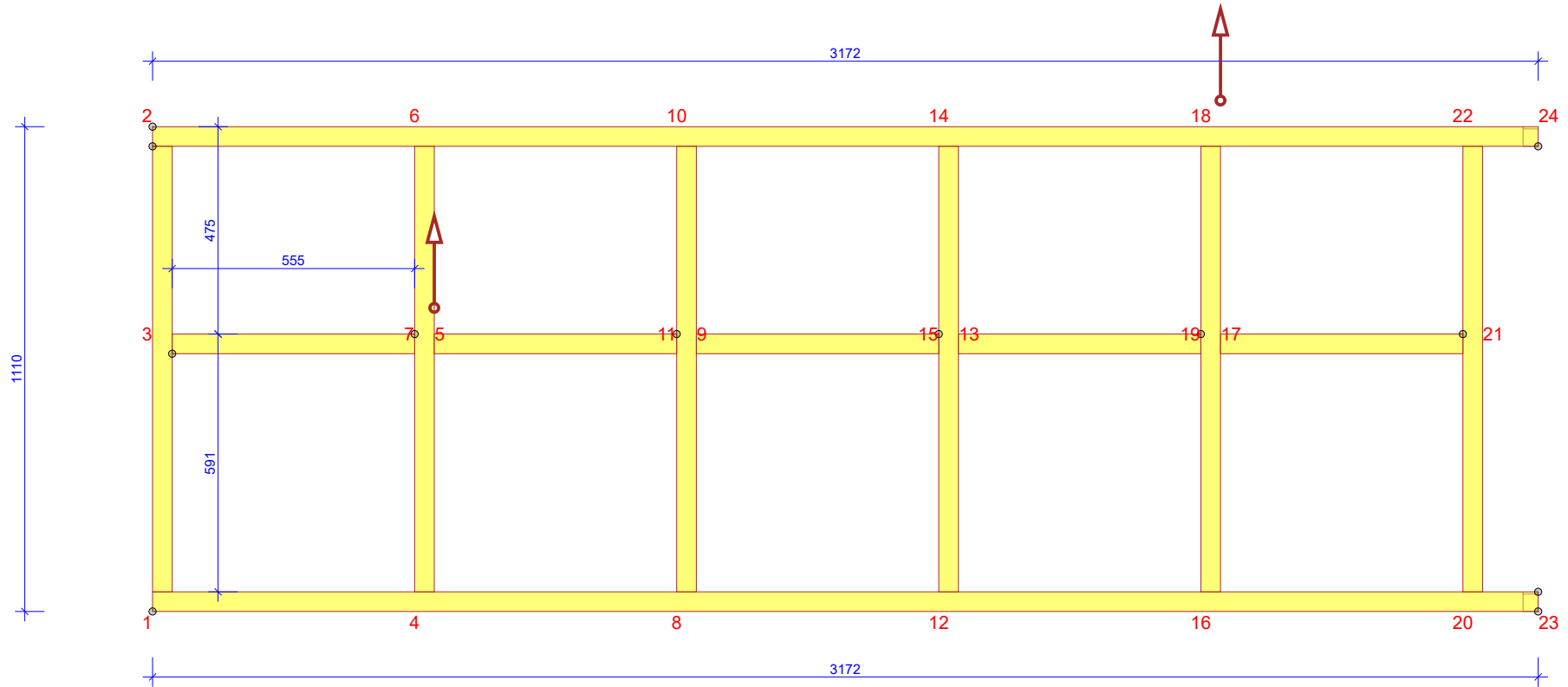


TIMBER THICKNESS 95 mm	
JOINT FROM - TO	BRACING
3-5	
7-9	
1-23	
11-13	
2-24	
15-17	
19-21	

GENERAL SETTINGS	
TIMBER THICKNESS (mm):	95
TRUSS WEIGHT (kg/ply):	32
LOAD SHARING FACTOR:	1.1
SERVICE CLASS:	2 = 65% ≤ RH < 85%

© The drawing is protected under copyright law and may not be copied, distributed or otherwise used without the author's consent.

gs2 - 2 no.

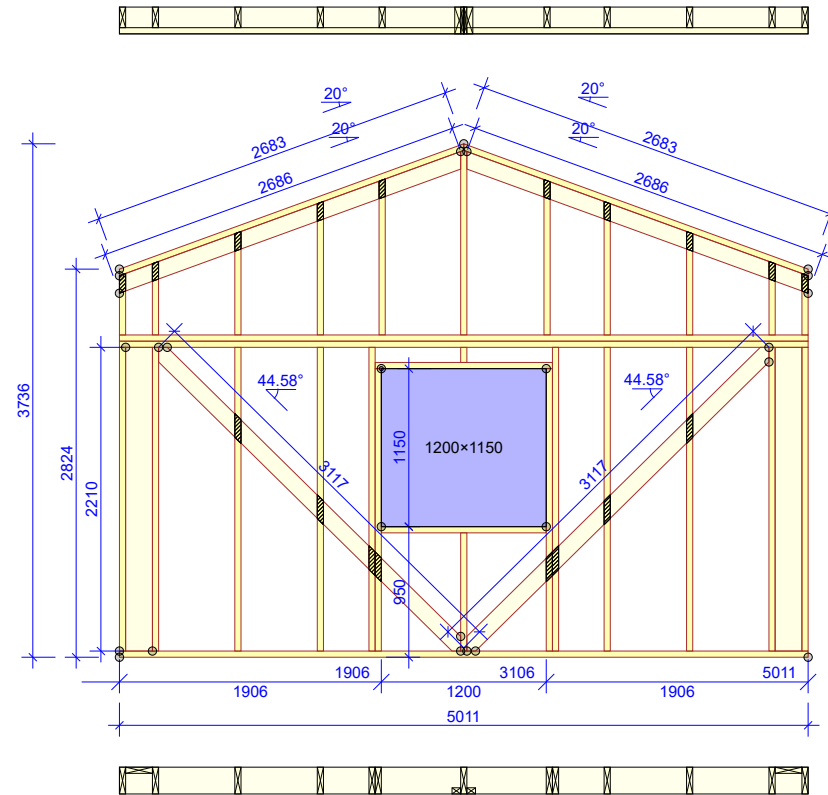


TIMBER THICKNESS 95 mm	
JOINT FROM - TO	BRACING
3-5	
7-9	
1-23	
11-13	
2-24	
15-17	
19-21	

GENERAL SETTINGS	
TIMBER THICKNESS (mm):	95
TRUSS WEIGHT (kg/ply):	32
LOAD SHARING FACTOR:	1.1
SERVICE CLASS:	2 = 65% ≤ RH < 85%

© The drawing is protected under copyright law and may not be copied, distributed or otherwise used without the author's consent.

VE1 - 1 no.

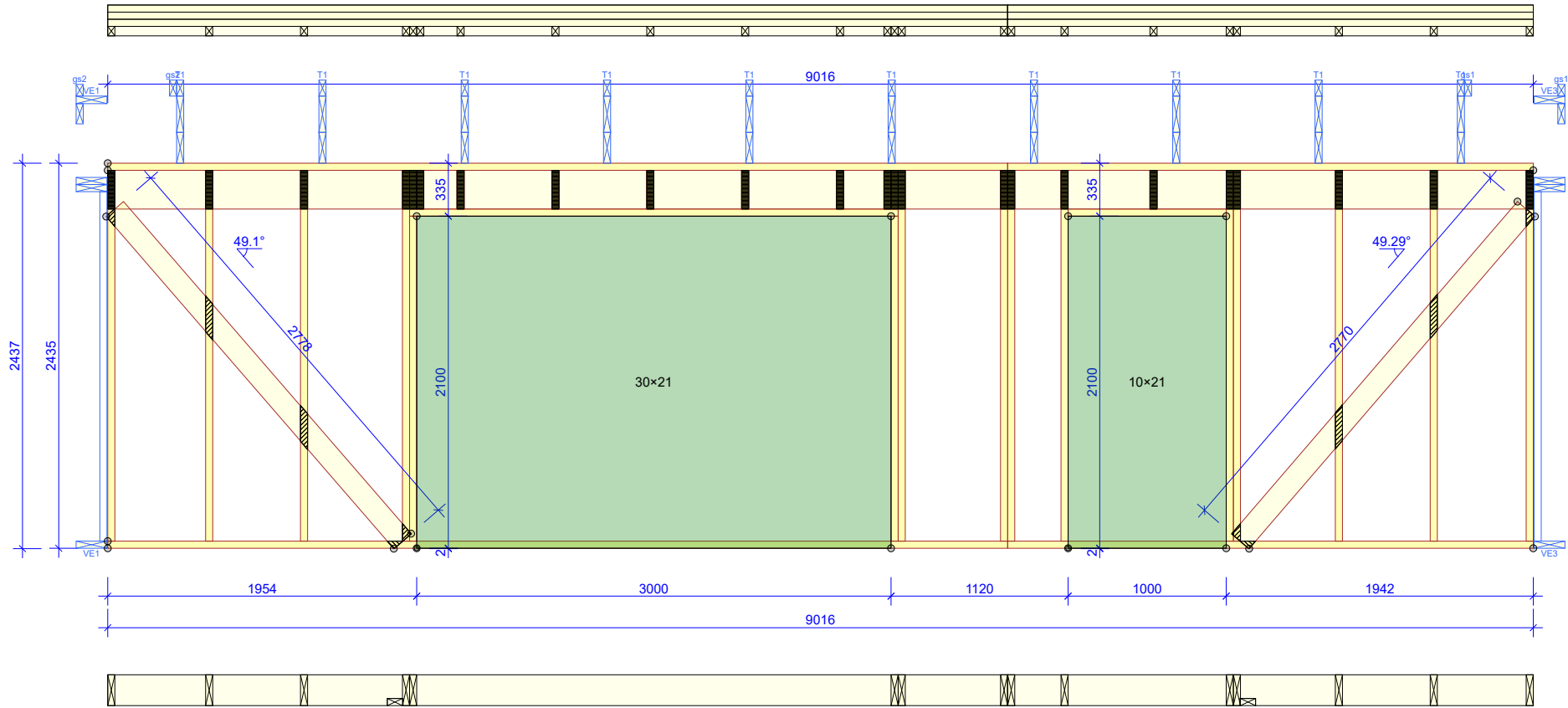


TIMBER THICKNESS 195 mm		
JOINT FROM - TO	DIMENSION mm	GRADING
14-33	45x195	C24
20-35	45x120	C24
32-45	45x120	C24
20-60	45x120	C24
26-62	45x195	C24
50-66	45x120	C24

GENERAL SETTINGS	
TIMBER THICKNESS (mm):	195
TRUSS WEIGHT (kg/ply):	294
LOAD SHARING FACTOR:	1
SERVICE CLASS:	2 = 65% <= RH < 85%

© The drawing is protected under copyright law and may not be copied, distributed or otherwise used without the author's consent.

VE2 - 1 no.

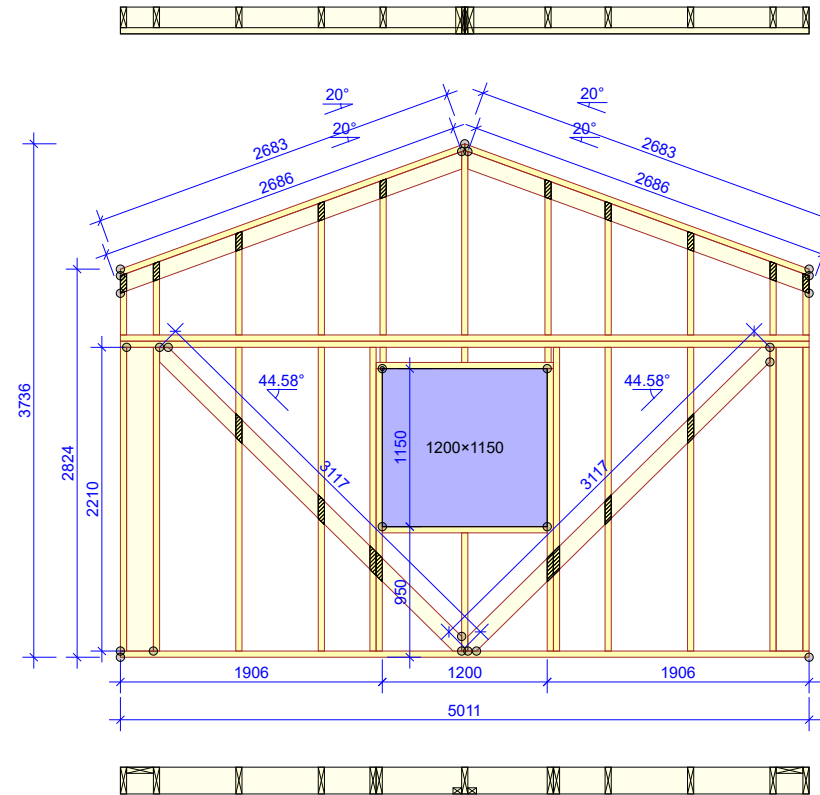


TIMBER			THICKNESS 195 mm	
JOINT FROM - TO	DIMENSION mm	GRADING	BRACING	
1-22	3x45x245	C24		
15-30	45x195	C24		
53-54	45x145	C24		
55-56	45x145	C24		

GENERAL SETTINGS	
TIMBER THICKNESS (mm):	195
TRUSS WEIGHT (kg/ply):	393
LOAD SHARING FACTOR:	1
SERVICE CLASS:	2 = 65% <= RH < 85%

© The drawing is protected under copyright law and may not be copied, distributed or otherwise used without the author's consent.

VE3 - 1 no.

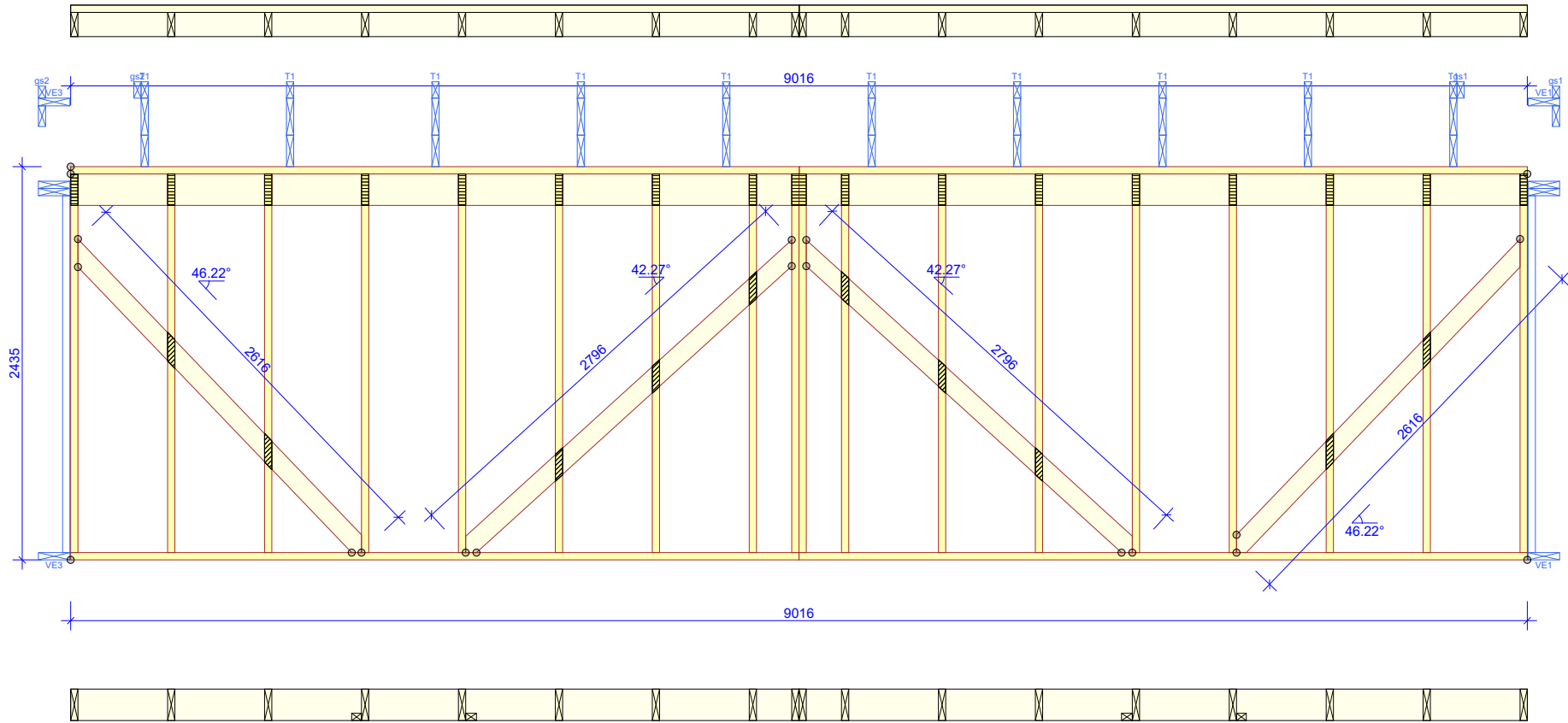


TIMBER		THICKNESS 195 mm	
JOINT FROM - TO	DIMENSION mm	GRA	BRAKING
14-33	45x195	C24	
20-35	45x120	C24	
32-47	45x120	C24	
20-64	45x120	C24	
26-66	45x195	C24	
52-70	45x120	C24	

GENERAL SETTINGS	
TIMBER THICKNESS (mm):	195
TRUSS WEIGHT (kg/ply):	295
LOAD SHARING FACTOR:	1
SERVICE CLASS:	2 = 65% <= RH < 85%

© The drawing is protected under copyright law and may not be copied, distributed or otherwise used without the author's consent.

VE4 - 1 no.



TIMBER THICKNESS 195 mm		
JOINT FROM - TO	DIMENSION mm	GRADING
1-17	45x195	C24
21-35	45x120	C24
22-36	45x120	C24
30-37	45x120	C24
31-38	45x120	C24

GENERAL SETTINGS	
TIMBER THICKNESS (mm):	195
TRUSS WEIGHT (kg/ply):	314
LOAD SHARING FACTOR:	1
SERVICE CLASS:	2 = 65% ≤ RH < 85%

© The drawing is protected under copyright law and may not be copied, distributed or otherwise used without the author's consent.